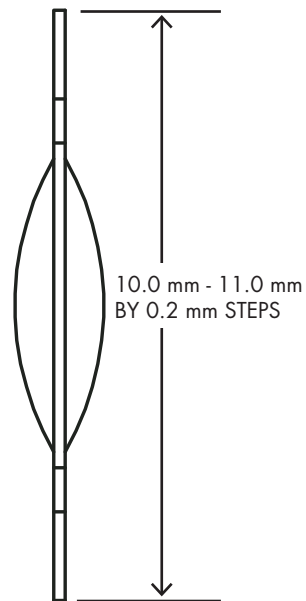
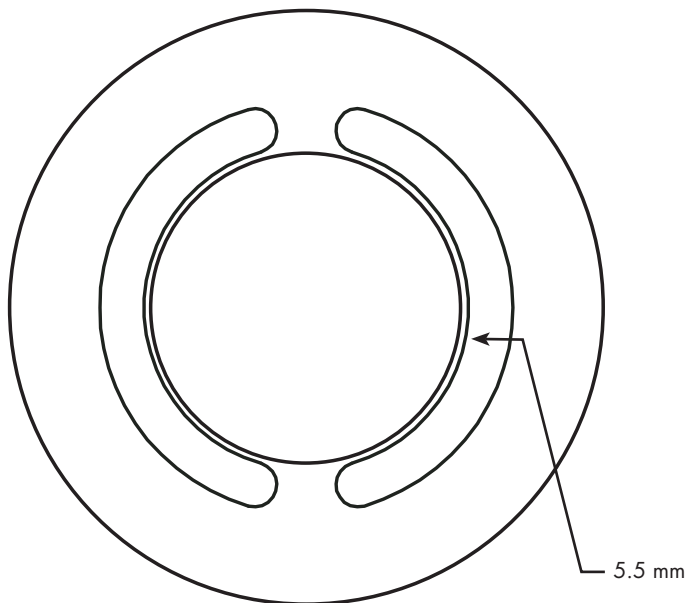


Tek-Clear™ ACCOMMODATIVE IOL

Model 500



Indications: Cataract and refractive lens exchange

U.S. Patent No.: US 7,435,258 B2

Not available in the United States

Additional Specifications

Material: Hydrophilic acrylic with UV blocker (26% water content)

Diopters = 17.0 to 30.0 x 0.5

Refractive Index = 1.457 @ 35° C (Fully hydrated)

Light transmission > 90%

Full symmetrical optic design

Square edge optic and haptic

5.5 mm optic

10.0 mm to 11.0 mm full bag haptic by 0.2 mm steps

Posterior chamber/capsular bag placement

Incision size - Sub 3.0 mm

CERTIFIED
ISO 13485



TEKIA

17 Hammond | Suite 414 | Irvine, California 92618 | U.S.A. | Tel: +1.949.699.1300 | Fax: +1.949.699.1302 | www.tekia.com

P/N: 1144 Rev. D